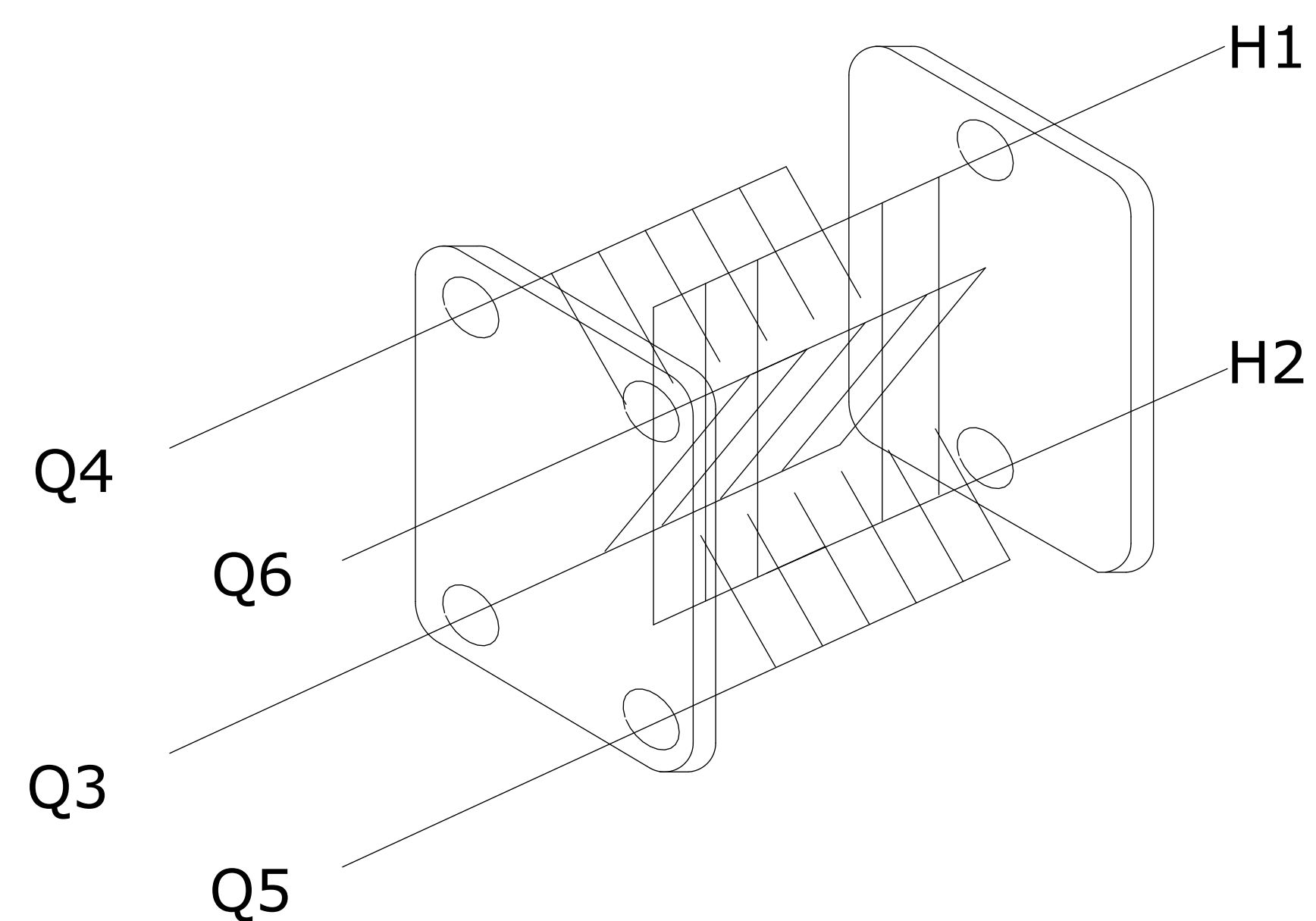
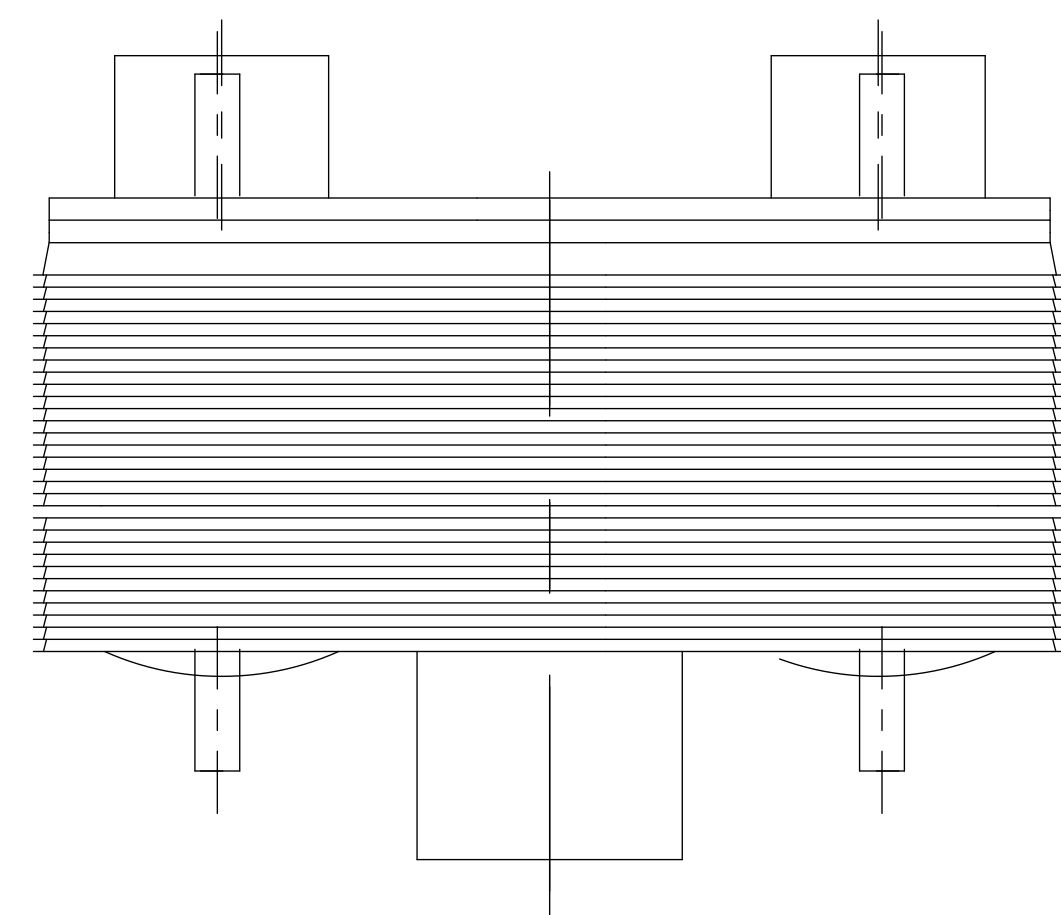
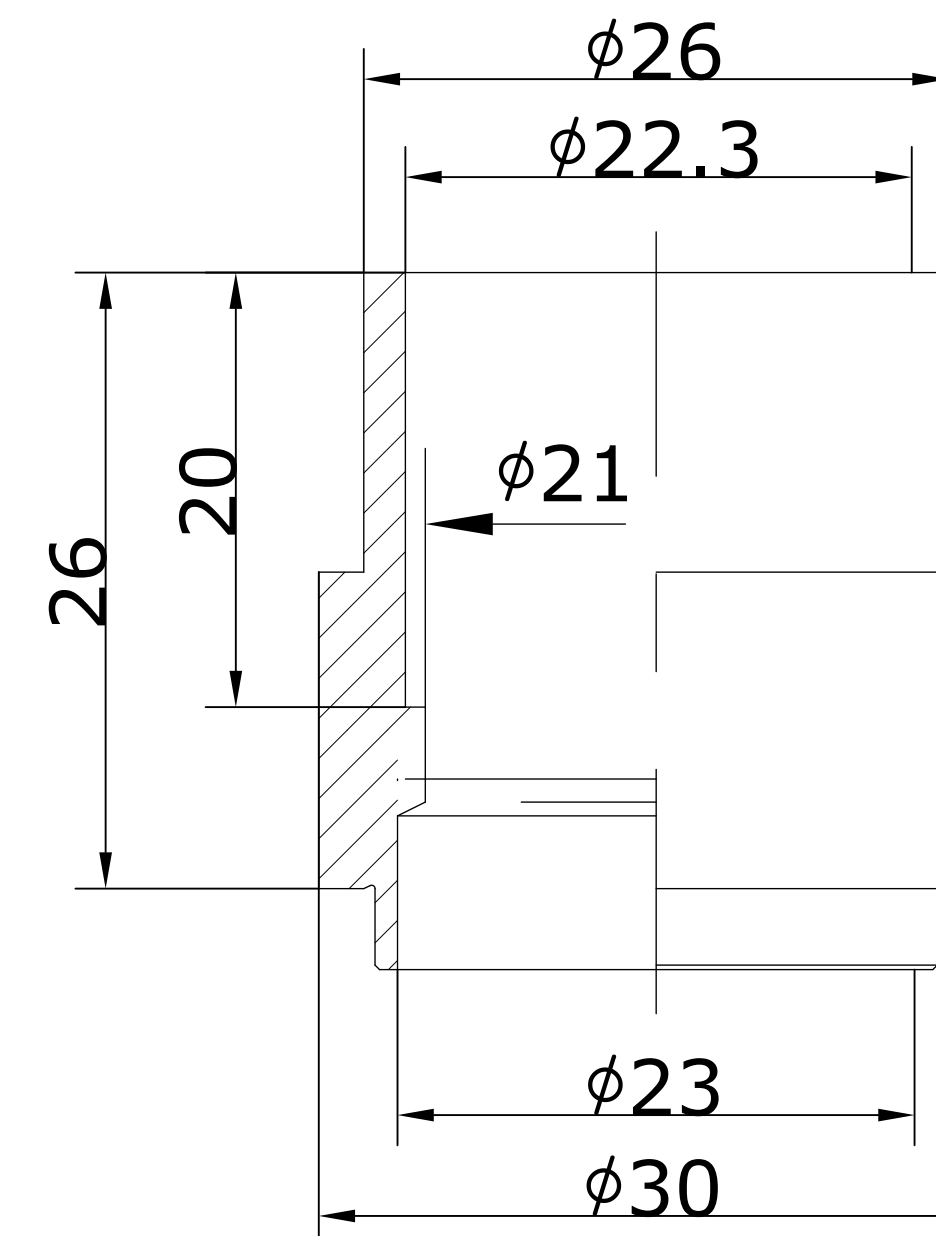


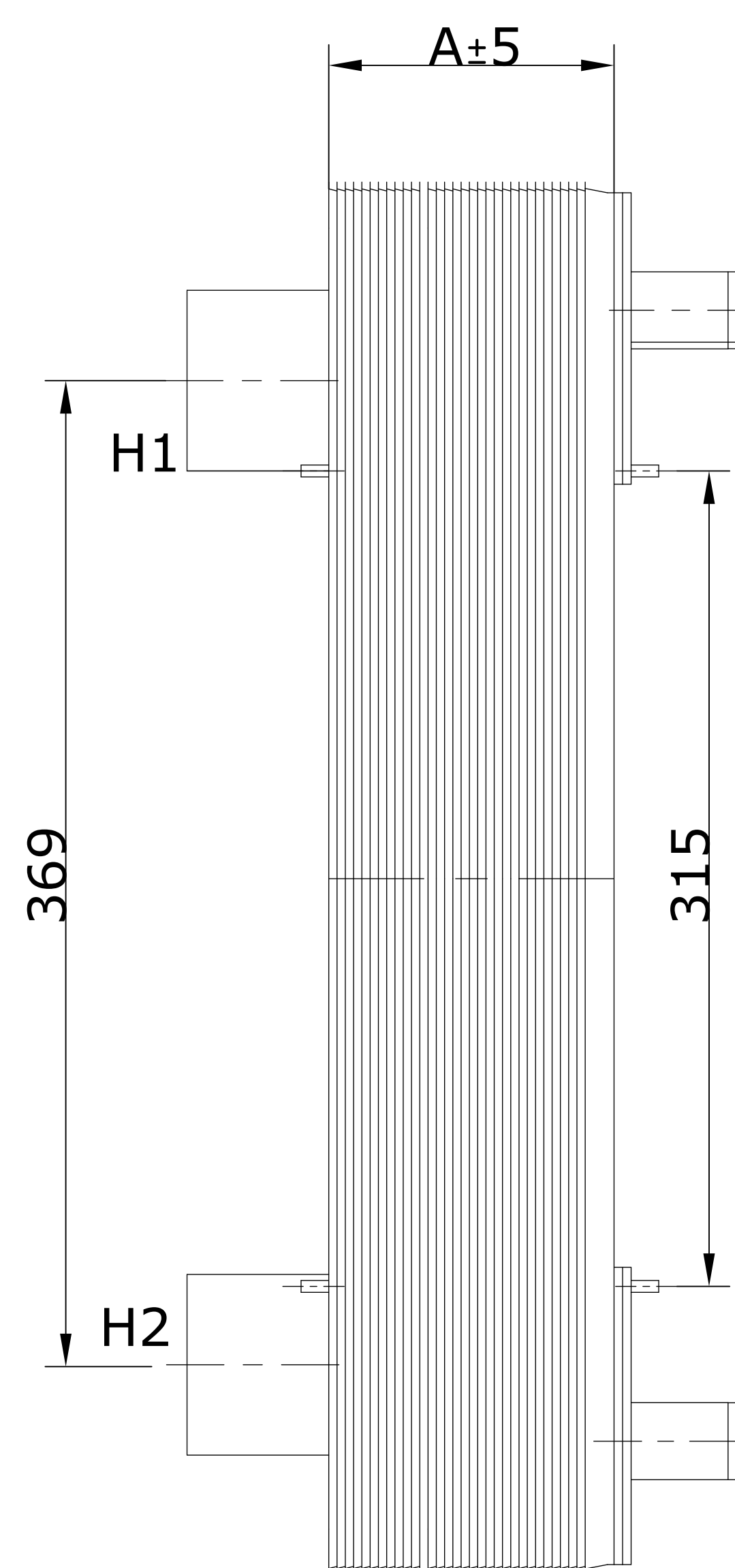
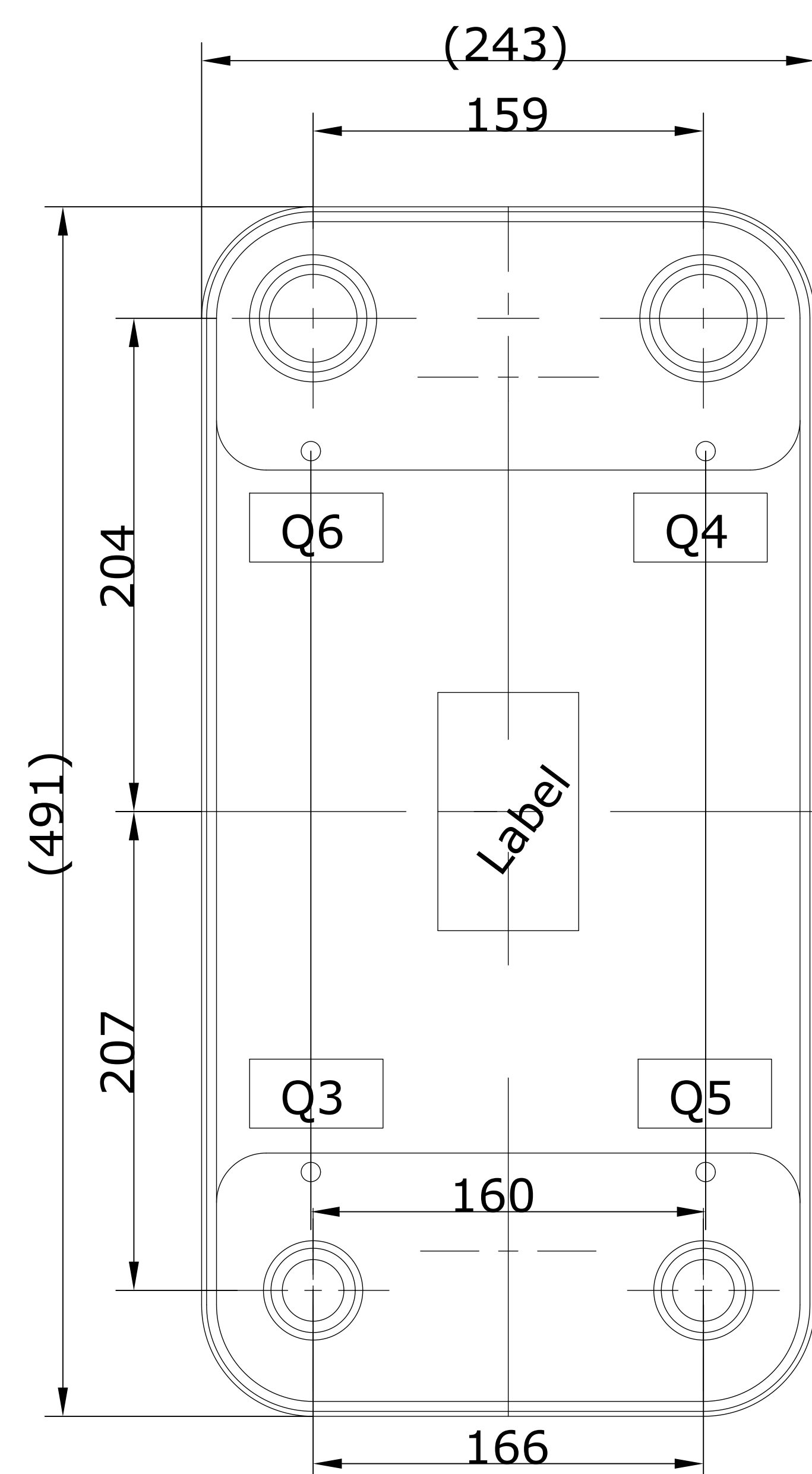
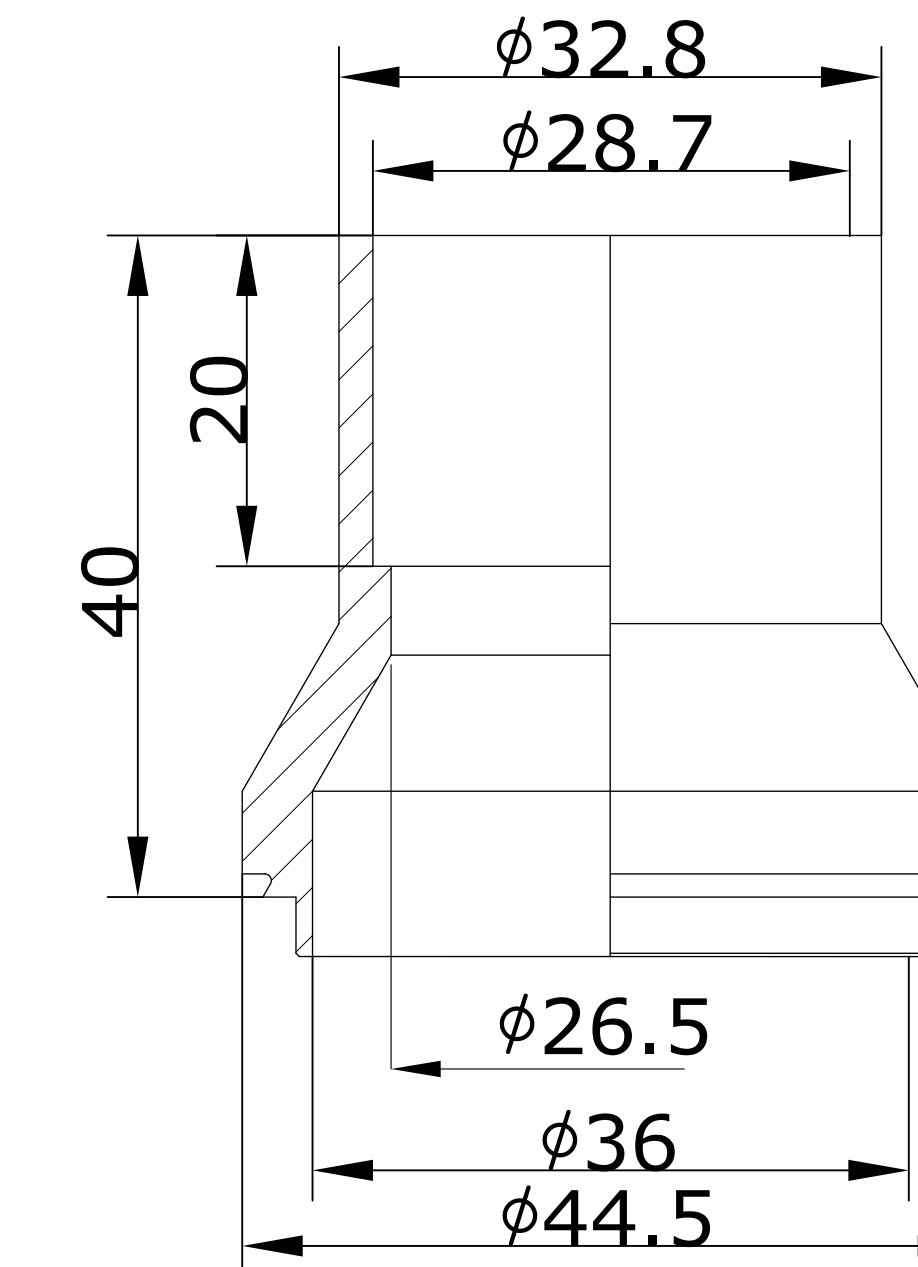
CONTROLLED



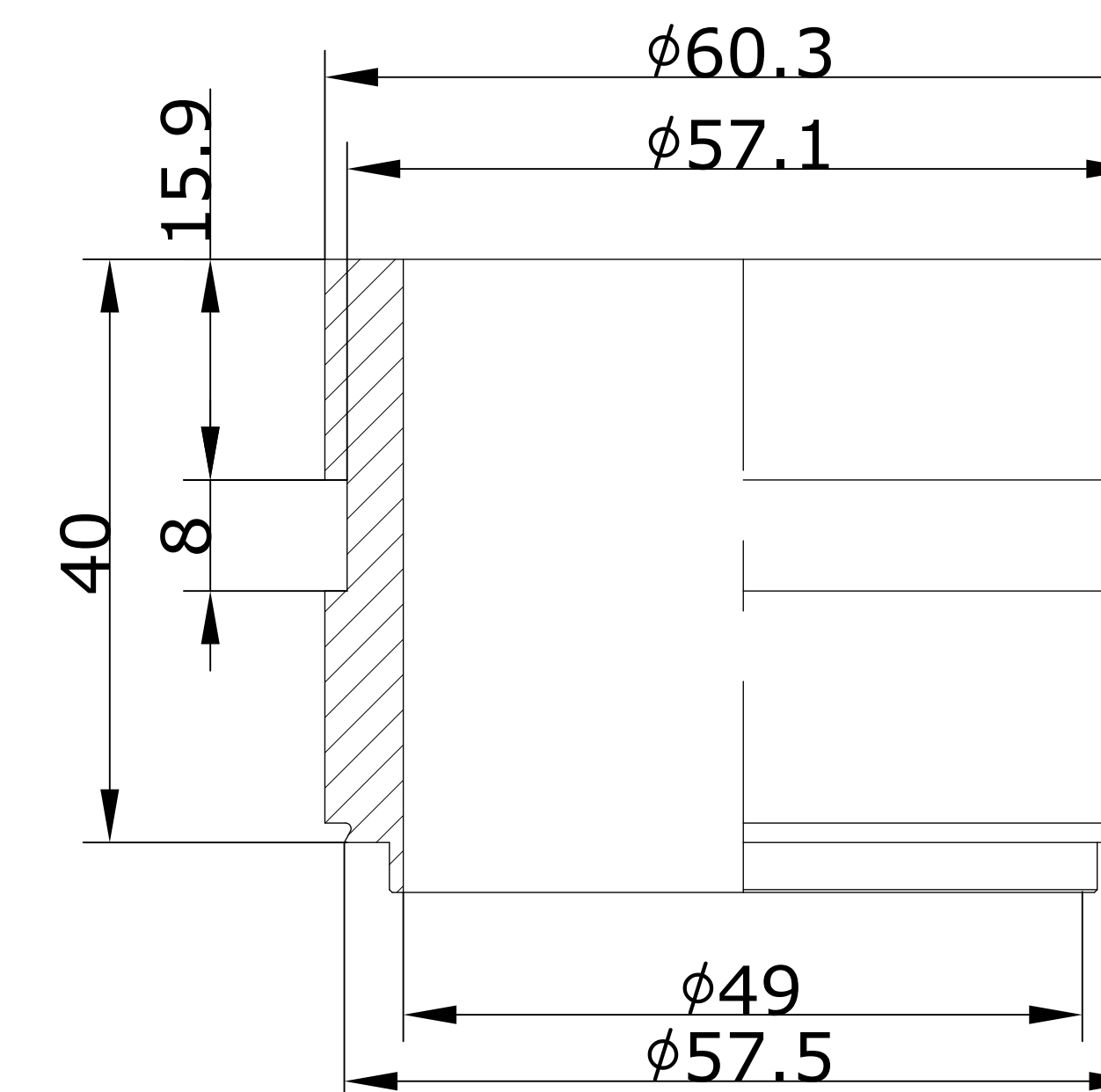
Q3-Q5
H7/8"(H2075)
Solder connection



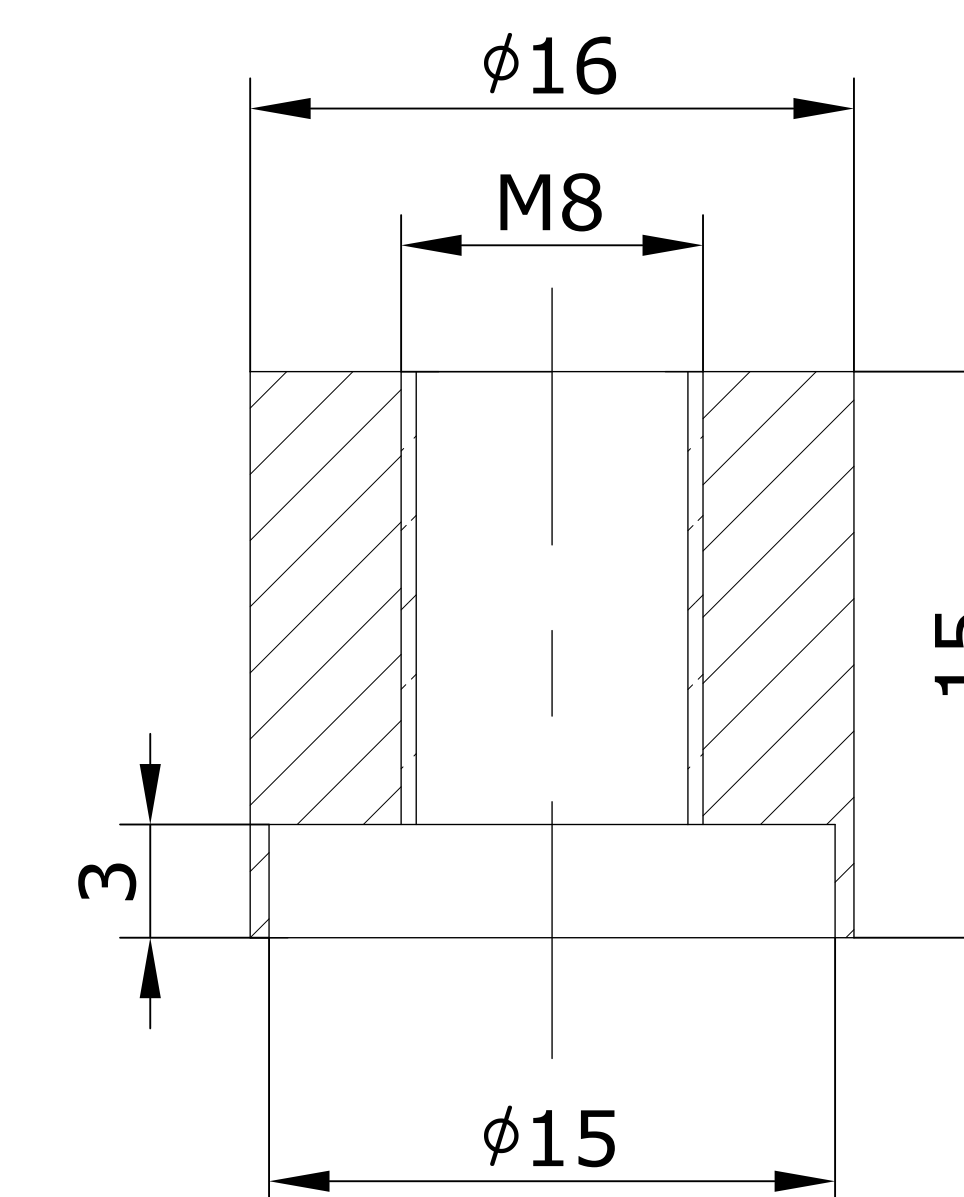
Q4-Q6
H1"1/8"(H4114)
Solder connection



H1-H2
T60.3(J520)
Victaulic connection



Nuts for mounting bolts



Note: 8-M8x40 bolts

| ID | RIDAN code | Drawing No. | Model | Plates(n) | A | Weight | Volume |
|----|------------|--------------|-------|-----------|-----|-----------|-------------------------|
| 1 | 111B0290R | 23021317- 01 | 113w | 38 | 87 | 20.288 kg | Q3Q4Q5Q6:1.8L/H1H2:3.8L |
| 2 | 111B0291R | 23021317- 02 | 113w | 42 | 95 | 21.712 kg | Q3Q4Q5Q6:2L/H1H2:4.2L |
| 3 | 111B0292R | 23021317- 03 | 113w | 46 | 103 | 23.136 kg | Q3Q4Q5Q6:2.2L/H1H2:4.6L |
| 4 | 111B0293R | 23021317- 04 | 113w | 54 | 120 | 24.984 kg | Q3Q4Q5Q6:2.6L/H1H2:5.4L |
| 5 | 111B0294R | 23021317- 05 | 113w | 62 | 136 | 28.832 kg | Q3Q4Q5Q6:3L/H1H2:6.2L |

| | | DESIGN DATA | |
|--------------------|------------|---|------------|
| DESIGN PRESSURE | | H1H2:2.1MPa/Q3Q4Q5Q6:4.5MPa | |
| TEST PRESSURE | | H1H2:3.15Mpa/Q3Q4Q5Q6:6.75MPa | |
| DESIGN TEMPERATURE | | -196/+225 | |
| LEAKAGE TEST | | Helium Test | |
| PLATE MATERIAL | | 316L | |
| PIPE MATERIAL | | 304 | |
| FRAME MATERIAL | | 304 | |
| Assembly drawing | DEPARTMENT | Sales Department | DATE |
| | DESIGNER | JLN | 2024/08/28 |
| | INSPECTOR | ZJF | |
| | APPROVAL | | |
| | | SCALE | |
| | | DRAWING NO. | |
| | | | |
| | | DESIGNATION: RD-113w-n-4,5-HDQ-Q3Q5(H7/8")/Q4Q6(H1 1/8")/H1H2(T60,3)/8- M8x40 | |
| | | 23021317 | REV 0 |